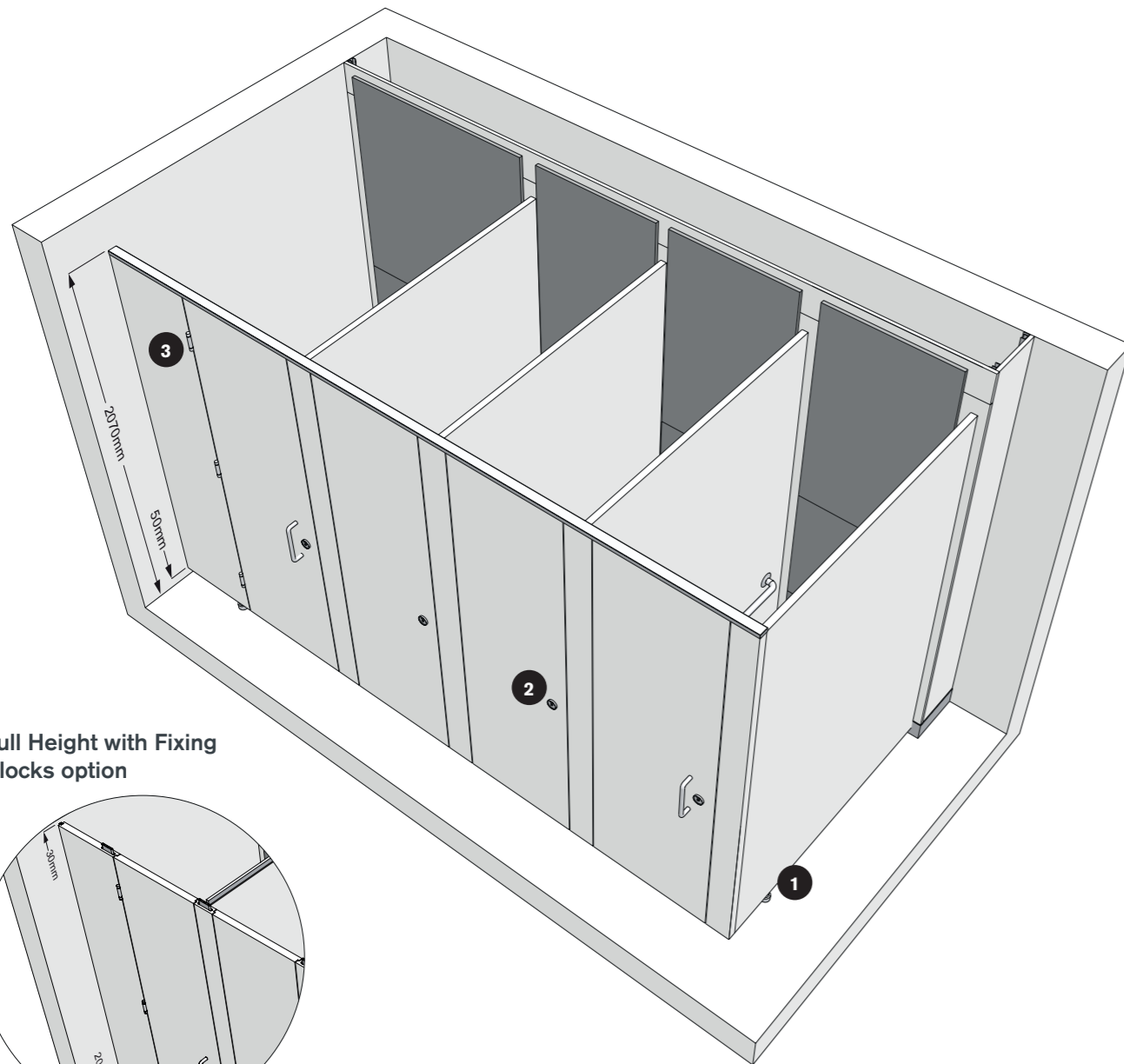
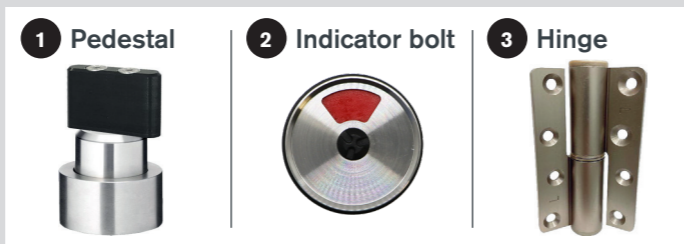
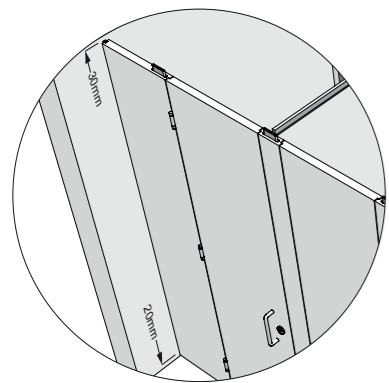


Technical Specifying Infinite



Full Height with Fixing Blocks option



Dimensions

Infinite

Overall height
2070mm

Maximum depth
2090mm

Floor clearance
50mm

Minimum ceiling clearance
20mm

Infinite Full Height with Headrail
Maximum height
2830mm

Maximum depth
2090mm

Floor clearance
50mm

Minimum ceiling clearance
20mm

Infinite Full Height with Fixing Blocks
Maximum ceiling height
2815mm

Maximum depth
2090mm

Floor clearance
20mm

Minimum ceiling clearance
30mm

Performance

Available in four material options, Infinite is suitable for even the most prestigious environments allowing you to specify with confidence.

HPL

Doors and pilasters are 44mm nominal thickness with an MDF core, partitions are 25mm nominal thickness.

ColourCoat

Doors and pilasters are 44mm nominal thickness MDF, partitions are 25mm MDF, both are sprayed with a coat of primer and finished with 20% gloss pigmented lacquer.

ColourCoat High Gloss

Doors and pilasters are 44mm nominal thickness MDF, partitions are 25mm MDF, both are sprayed with a coat of primer and finished with 80% gloss pigmented lacquer.

Veneer

Doors and pilasters are 44mm nominal thickness MDF faced with real wood veneer, partitions are 25mm MDF core faced with real wood veneer. Door, pilaster and partition edging in complementing ABS from the Venesta standard colour range.

Detailing

Panels and doors

Available in HPL, ColourCoat, ColourCoat High Gloss and Veneer.

Colour finish

HPL
34 colours from the standard range.
ColourCoat and ColourCoat High Gloss
Any RAL classic colour, excluding metallic and fluorescent colours.
Veneer
11 Alpi real wood veneers (varying price points).
Cubicle hardware
Stainless steel and aluminium. Optional choice of black, brass or bronze effect coatings.

Edge treatment

HPL
Matching ABS lipping.
ColourCoat
Edges are sprayed with one coat of primer and finished with 20% gloss pigmented polyurethane lacquer.
ColourCoat High Gloss
Edges are sprayed with one coat of primer and finished with 80% gloss pigmented polyurethane lacquer.
Veneer
Complementing ABS edging from the standard range.

Headrail (Not applicable to Infinite Full Height with Headrail)

Slimline profile satin anodised aluminium headrail with 3 part fixing system allowing cubicles to finish 20mm below ceiling height. Stainless steel end cap.

Cubicle hardware

Indicator bolt
Stainless steel indicator bolt with slimline mortice lock and unique emergency release function.
Hinge
Stainless steel effect aluminium hinge (lift off available).
Pedestal
Infinite and Infinite Full Height with Headrail: Adjustable stainless steel pedestal.
Infinite Full Height with Fixing Blocks: Stainless steel effect aluminium fixing blocks to floor and ceiling.
Fixings
Partition to wall: Satin anodised aluminium H-channel and Z-clips.
Pilaster to partition: Steel Z-clips.
Pilaster to wall: Satin anodised aluminium H-channel and Z-clips.
Floor and ceiling fixing: Stainless steel effect aluminium fixing blocks (Infinite Full Height only).

Accessories

Coat hooks and toilet roll holders available. Optional choice of black, brass or bronze effect coatings.